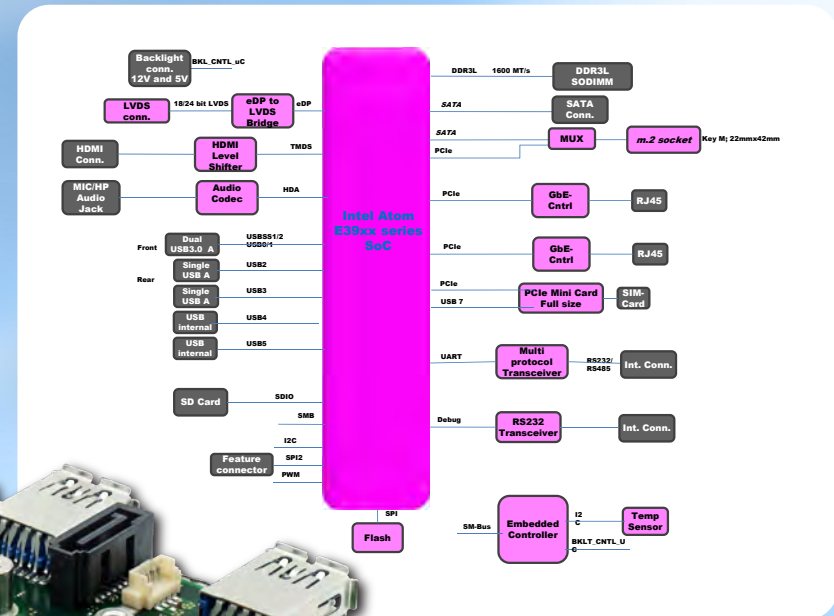




APPLICATIONS

The **PROFIVE® NUCI** was designed as a low power eNUC board with an excellent performance-per-watt ratio and is optimal adapted for:

- _ Mobile Systems
 - automotive power supply
- _ Rugged Industrial Systems
 - no rotating parts, low power
- _ Medical Solutions
 - Intel® Atom™ performance
- _ Automation Control
 - scalable, long term availability,
 - flexible expansion
- _ Measurement
 - dual display support
- _ IoT
 - edge / fog gateway



Made in Germany



E.E.P.D. 
...just embedded!

eNUC 101x101

SPECIFICATIONS

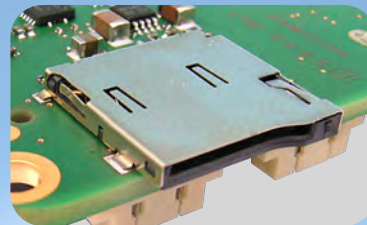
CPU	Intel® Atom™ processors E3900 series ¹
Max. memory	Up to 8 GB DDR3L memory
Gigabit Ethernet	2 Intel® I210 with IEEE1588
PCI Express® Mini Card	1 full size socket with SIM card socket
SD-Card	1 MicroSD-Card socket
M.2 socket	1 Key M, 22 mm x 42 mm (SSD only)
USB ports	1 Dual-USB 3.0, up to 7 USB 2.0
Serial ports	1 RS-232 1 RS-232/485
LVDS connector	1 dual channel 24-bit
HDMI connector	1 standard HDMI connector v1.4
Sound	HDA with MIC In / headphone Out
Other	I ² C-, SPI-, PWM-connectors
Power supply	Min. 8 V / Max. 32 V (DC) automotive grade KL15
Max. operating temp.	-40 °C to +85 °C ambient ind. grade 0 °C to +60 °C ambient comm. grade
Max. storage temp.	-40 °C to +105 °C
Max. relative humidity	95 % @ 40 °C, non-condensing
Size approx.	102 mm x 102 mm
OS support	Microsoft® Windows® 10; Microsoft® Windows® 10 IoT Enterprise; Linux (Yocto Project 2.5.1, Ubuntu 18.04 LTS); Android 6.0

¹15 years availability according to CPU manufacturers specification

Ordering Code CPU	Description	Type
NUCIC	eNUC	X5-E3930 / 1.3 GHz / industrial temperature
NUCID	eNUC	X5-E3940 / 1.6 GHz / industrial temperature
NUCIE	eNUC	X7-E3950 / 1.6 GHz / industrial temperature

other on request

Ordering Memory	Code	Description	Size
4GB-NUCI		Main Memory	4GB
8GB-NUCI		Main Memory	8GB



MicroSD-Card Socket PCI



PCI Express® Mini Card and M.2 Sockets



Dual-USB 3.0 Ports



Gigabit Ethernet

The information contained in this document has been carefully checked and is believed to be reliable. However, E.E.P.D. GmbH makes no guarantee or warranty concerning the accuracy of said information and shall not be responsible for any loss or damage of what ever nature resulting from the use of, or reliance upon, it.

E.E.P.D. does not guarantee that the use of any information contained herein will not infringe upon the patent, trademark, copyright or other rights of third parties, and no patent or other license is implied hereby. Intel and the Intel logo are trademarks of Intel Corporation or its subsidiaries in the U.S. and/or other countries. This document does not in any way extend E.E.P.D.'s warranty on any product beyond that set forth in its standard terms and conditions of sale. E.E.P.D. reserves the right to make changes in the products or specifications, or both, presented in this publication at any time and without notice.

LIFE SUPPORT APPLICATIONS

E.E.P.D.'s products are not intended for use as critical components in life support appliances, devices or systems in which the failure of a E.E.P.D. product to perform could be expected to result in personal injury. All mentioned trademarks are registered trademarks of their owner.

©2020 by E.E.P.D. GmbH. All rights reserved. November 25 2020 - Version 1.8



**E.E.P.D. Electronic Equipment
Produktion & Distribution GmbH**
Gewerbering 3
85258 Weichs - Germany
Phone +49 8136 2282-0
Fax +49 8136 2282-109
Internet: www.eepd.de
E-Mail: sales@eepd.de