

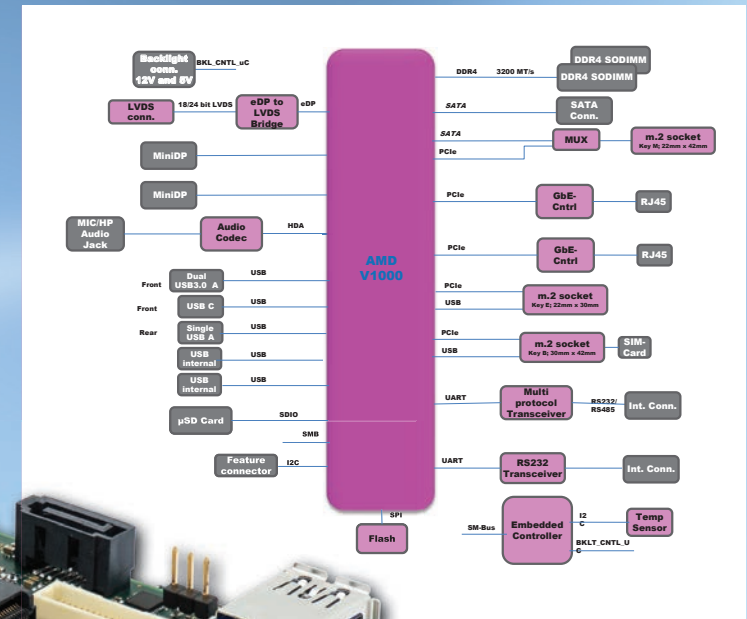
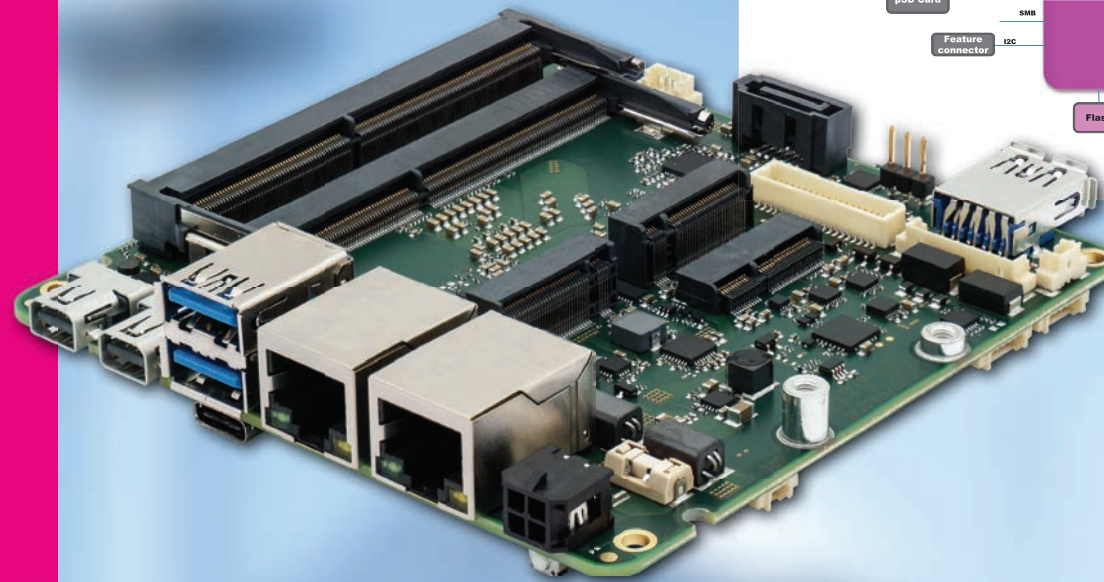


APPLICATIONS

The **PROFIVE® NUCV** was designed as a low power eNUC board with an excellent performance-per-watt ratio and is optimal adapted for:

- _ AI Systems
- _ ML Machine Learning
- _ CV Computer Vision
- _ Robotics
- _ Mobile Systems
 - automotive power supply
- _ Rugged Industrial Systems
 - no rotating parts, low power
- _ Medical Solutions
 - AMD Ryzen™ performance
- _ IoT
 - edge / fog gateway

¹ 10 years availability according to CPU manufacturers specification
² The NUCV supports only 35W TDP settings



Made in Germany



E.E.P.D. 
 ...just embedded!

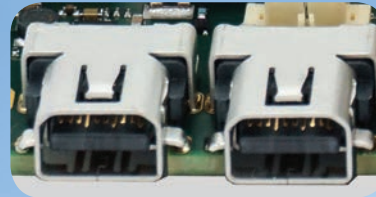
eNUC 101x101

SPECIFICATIONS

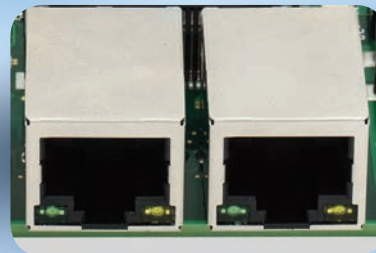
CPU	AMD V1000 series ¹ , up to 3.8 GHz Up to 4 cores, 8 threads, max. 35W supported
Max. memory	32 GB dual channel DDR4 memory
Gigabit Ethernet	2 Intel® I210 with IEEE1588
SD-Card	1 MicroSD-Card socket
M.2 socket	1 Key B, 30 mm x 42 mm with on-board SIM Card socket 1 Key E, 22 mm x 30 mm 1 Key M, 22 mm x 42 mm (for SSD only)
Serial ATA	1 (6G) with separate power connector
USB ports	Up to 4, 3 USB 3.1 Gen1 and 1 USB 2.0
Serial ports	1 RS-232 1 RS-232/485
LVDS connector	1 dual channel 24-bit
DP connector	2 Mini-DP++ connectors up to 4096 x 2160 @ 60 Hz
Sound	HDA with MIC In / headphone Out
Health monitoring and management	Controllable FAN (PWM + Tacho), hardware monitoring and watchdog
Other	I ² C, power and status LEDs, 2 GPIO (3,3V)
Power supply	Min. 8 V / Max. 32 V (DC) automotive grade KL15
Max. operating temp.	0°C to +60°C ambient commercial grade; other on request
Max. storage temp.	-40 °C to +85 °C
Max. relative humidity	95% @ 40 °C, non-condensing
Size approx.	101,6 mm x 101,6 mm
OS support	Microsoft® Windows® 10; Microsoft® Windows® 10 IoT Enterprise; Linux Ubuntu 18.04 LTS

Ordering Code CPU	Description	Type
NUCVA	eNUC	V1202B / 2C / 4T / 2.3 GHz - 3.2 GHz / 12 - 25 W
NUCVB	eNUC	V1605B / 4C / 8T / 2.0 GHz - 3.6 GHz / 12 - 25 W
NUCVC	eNUC	V1756B / 4C / 8T / 3.25 GHz - 3.6 GHz / 35 - 54 W ²
NUCVD	eNUC	V1807B / 4C / 8T / 3.35 GHz - 3.8 GHz / 35 - 54 W ²

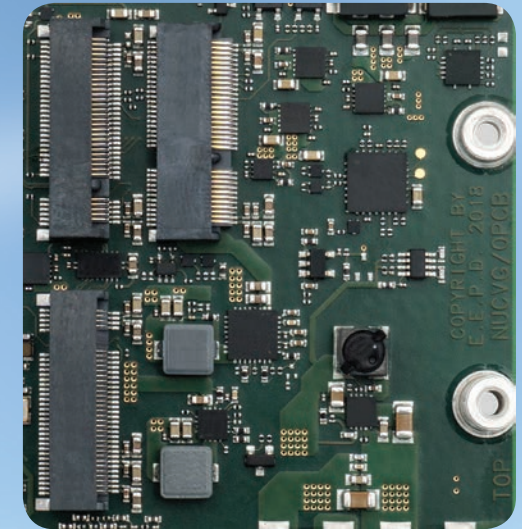
Ordering Code Memory	Description	Size
4GB-NUCVX	Main Memory	4 GB
8GB-NUCVX	Main Memory	8 GB
16GB-NUCVX	Main Memory	16 GB



Dual-Mini-DP-Support
Single Display Max. 4096 x 2160 @ 60 Hz



Dual Gigabit Ethernet



Triple M.2 Sockets / WLAN_BT / 4G_5G / NVME_SATA



The information contained in this document has been carefully checked and is believed to be reliable. However, E.E.P.D. GmbH makes no guarantee or warranty concerning the accuracy of said information and shall not be responsible for any loss or damage of what ever nature resulting from the use of, or reliance upon, it. E.E.P.D. does not guarantee that the use of any information contained herein will not infringe upon the patent, trademark, copyright or other rights of third parties, and no patent or other license is implied hereby. AMD® and AMD® logo are trademarks or registered trademarks of Advanced Micro Devices, Inc. or its subsidiaries in the United States and other countries.

This document does not in any way extend E.E.P.D.'s warranty on any product beyond that set forth in its standard terms and conditions of sale. E.E.P.D. reserves the right to make changes in the products or specifications, or both, presented in this publication at any time and without notice.

LIFE SUPPORT APPLICATIONS

E.E.P.D.'s products are not intended for use as critical components in life support appliances, devices or systems in which the failure of a E.E.P.D. product to perform could be expected to result in personal injury. All mentioned trademarks are registered trademarks of their owner.

© 2019 by E.E.P.D. GmbH. All rights reserved. February 18th 2019 - Version 1.2

**E.E.P.D. Electronic Equipment
Produktion & Distribution GmbH**
Gewerbering 3
85258 Weichs - Germany
Phone +49 8136 2282-0
Fax +49 8136 2282-109
Internet: www.eepd.de
E-Mail: sales@eepd.de