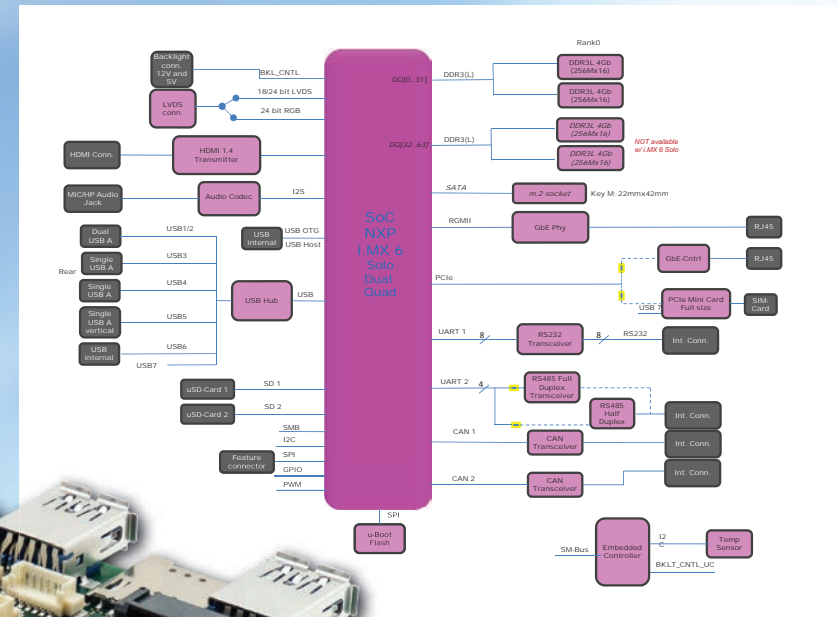
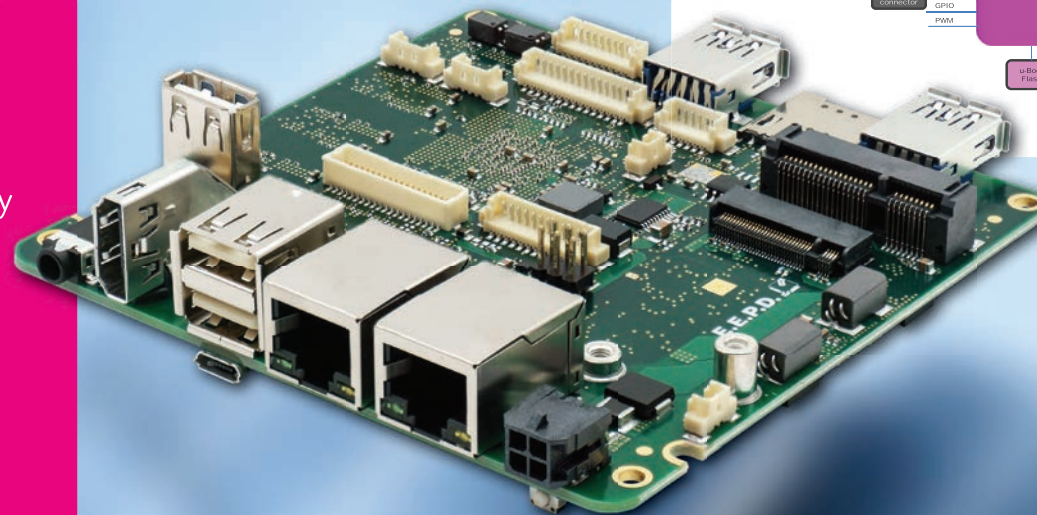




APPLICATIONS

The **PROFIVE® NUCA** was designed as a low power eNUC board with an excellent performance-per-watt ratio and is optimal adapted for:

- _ IoT
 - edge / fog gateway
- _ Rugged Industrial Systems
 - no rotating parts, low power
- _ Medical Solutions
 - ARM® performance
- _ Automotive Solutions
 - automotive grade power supply
- _ Automatic Control
 - scalable, long term availability,
 - flexible expansion
- _ Measurement
 - USB-Client-Port



Made in Germany



eNUC 101x101

SPECIFICATIONS

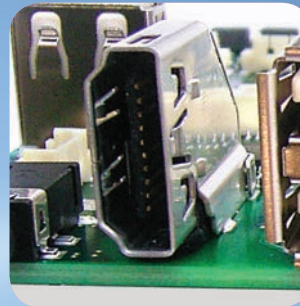
CPU	NXP i.MX6 processors ¹
Max. memory	Up to 2 GB DDR3L soldered memory onboard
Gigabit Ethernet	Up to 2 (Micrel KSZ9031RXN ² , Intel® I210 with IEEE1588)
PCI Express® Mini Card	1 full size socket with SIM Card support
SD-Card	Up to 2 MicroSD-Card sockets
M.2 socket	1 Key M, 22 mm x 42 mm (SSD only)
USB ports	Up to 7 USB 2.0
Serial ports	1 RS232/485 1 UART TTL 2 CAN
LVDS connector	1 dual channel 24-bit (optional 24-bit RGB)
HDMI connector	Yes
Sound	I2S; MIC IN, headphone OUT
Other	I ² C-, SPI-, PWM-connectors
Power supply	Min. 8 V / Max. 32 V (DC) automotive grade KL15
Max. operating temperature	-40 °C to +85 °C ambient industrial grade
Max. storage temperature	-40 °C to +105 °C
Max. relative humidity	95% @ 40 °C, non-condensing
Size approx.	101,6 mm x 101,6 mm
OS support	Linux (Yocto Project w/ FSL Community BSP 2.3)

¹ 15 years availability according to CPU manufacturers specification

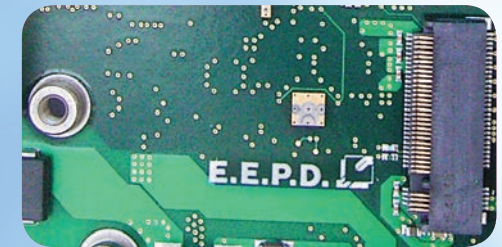
² 1st GbE port currently limited to 480 MBit/s

Ordering Code CPU	Description	Type
NUCAA	eNUC	i.MX6 Solo / 800 MHz / 256 MB memory down 1x ETH / 1x MicroSD-Card
NUCAB	eNUC	i.MX6 Quad / 800 MHz / 2 GB memory down 2x ETH / 2x MicroSD-Card / PCIe MiniCard w/o PCIe

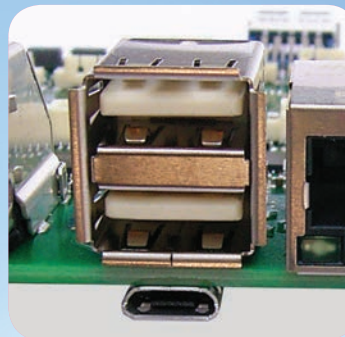
other on request



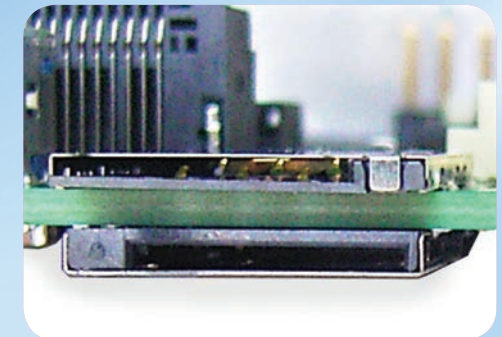
HDMI Connector



M.2 MiniCard Socket



Dual-USB- and MicroUSB-Port



MicroSIM- and MicroSD-Card Socket

The information contained in this document has been carefully checked and is believed to be reliable. However, E.E.P.D. GmbH makes no guarantee or warranty concerning the accuracy of said information and shall not be responsible for any loss or damage of what ever nature resulting from the use of, or reliance upon, it. E.E.P.D. does not guarantee that the use of any information contained herein will not infringe upon the patent, trademark, copyright or other rights of third parties, and no patent or other license is implied hereby. NXP® and NXP® logo are trademarks or registered trademarks of NXP® Semiconductors or its subsidiaries in the Netherlands and other countries.

This document does not in any way extend E.E.P.D.'s warranty on any product beyond that set forth in its standard terms and conditions of sale. E.E.P.D. reserves the right to make changes in the products or specifications, or both, presented in this publication at any time and without notice.

LIFE SUPPORT APPLICATIONS

E.E.P.D.'s products are not intended for use as critical components in life support appliances, devices or systems in which the failure of a E.E.P.D. product to perform could be expected to result in personal injury. All mentioned trademarks are registered trademarks of their owner.

© 2019 by E.E.P.D. GmbH. All rights reserved. February 18th 2019 - Version 1.7



**E.E.P.D. Electronic Equipment
Produktion & Distribution GmbH**
Gewerbering 3
85258 Weichs - Germany
Phone +49 8136 2282-0
Fax +49 8136 2282-109
Internet: www.eepd.de
E-Mail: sales@eepd.de