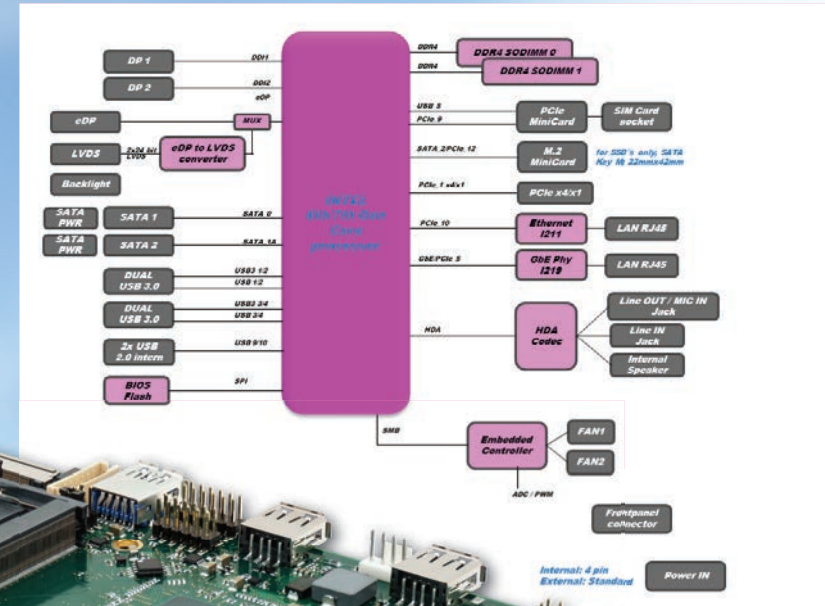
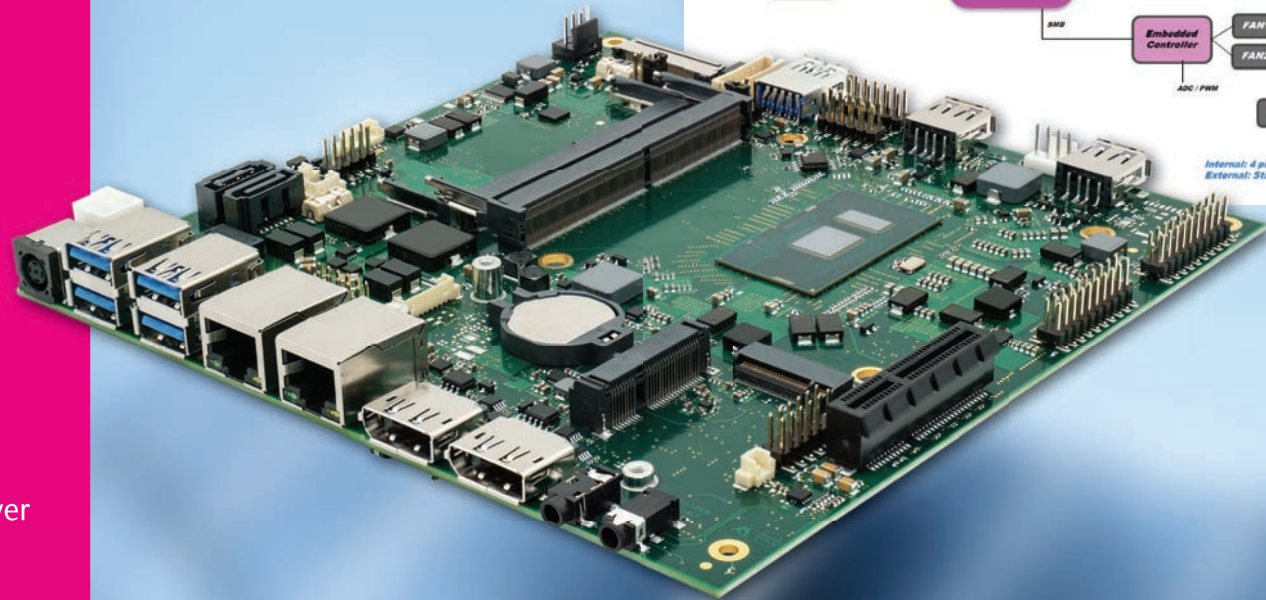




APPLICATIONS

The **PROFIVE® MIT6X** single board computer is optimal adapted for:

- _ Rugged Industrial Systems
 - no rotating parts, low power
- _ Medical Solutions
 - Intel® Core™ performance, high-resolution graphics
- _ Automatic Control
 - scalable, long term availability, flexible expansion
- _ Measurement
 - Multiple graphics
- _ Public Terminal
 - Digital Signage, Multiple Displays support
- _ Mobile Solutions
 - optimized for automotive power input, small form factor



Made in Germany



Mini-ITX 170x170

SPECIFICATIONS

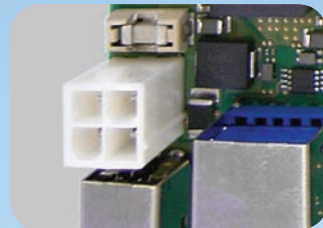
CPU	Intel® 6th Generation Core™ processors ¹
BIOS	UEFI-BIOS
Max. memory	Up to 32 GB DDR4 dual-channel memory support up to 2133 MT/s
Gigabit Ethernet	Up to 2 Intel® integrated GbE/ I211
PCI Express®	x4 or x1 slot, depending on version
PCI Express® Mini Card	1 fullsize socket with SIM Card socket
M.2 socket	1 Key M, 22 mm x 42 mm (SSD only)
Serial ATA	Up to 3 (6G)
USB ports	Up to 9 USB 2.0, up to 5 USB 3.0
SM bus	Yes
LVDS connector	1 dual channel 18/24-bit (up to 1920 x 1200 @ 60 Hz)
Display Port connector	2 (up to 4096 x 2304 @ 60 Hz)
eDP connector	1 (up to 4096 x 2304 @ 60 Hz)
Sound	Multi-channel HDA, one Line IN, one MIC IN, one Line-Out and speaker connector
Health monitoring and management	Controllable fan, hardware monitoring and watchdog
Power supply	Min. 8 V / Max. 32 V (DC), EMI filtering on board, automotive grade, dual power connector KL15
Max. operating temperature	0°C to +60°C ambient
Max. storage temperature	-20°C to +85°C
Max. rel. humidity	95% @ 40°C, non-condensing
Size approx.	170 mm x 170 mm
OS support	Microsoft® Windows® 7; Microsoft® Windows® 7 embedded standard; Microsoft® Windows® 10; Microsoft® Windows® 10 IoT Enterprise; Linux Ubuntu 18.04 LTS

¹ 15 years availability according to CPU manufacturers specification

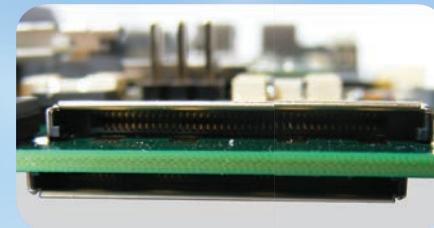
Ordering Code CPU	Description	Type
MIT6A	Mini ITX Board	Celeron 3955U / 2.0 GHz / 2 MB cache / PCIe x1
MIT6B	Mini ITX Board	Celeron 3955U / 2.0 GHz / 2 MB cache / PCIe x4 /*
MIT6C	Mini ITX Board	i3-6100U / 2.3 GHz / 3 MB cache / PCIe x1
MIT6D	Mini ITX Board	i3-6100U / 2.3 GHz / 3 MB cache / PCIe x4 /*
MIT6E	Mini ITX Board	i5-6300U / 2.4 GHz / 3 MB cache / PCIe x1
MIT6F	Mini ITX Board	i5-6300U / 2.4 GHz / 3 MB cache / PCIe x4 /*
MIT6G	Mini ITX Board	i7-6600U / 2.6 GHz / 4 MB cache / PCIe x1
MIT6H	Mini ITX Board	i7-6600U / 2.6 GHz / 4 MB cache / PCIe x4 /*

* without rear USB/LVDS/eDP

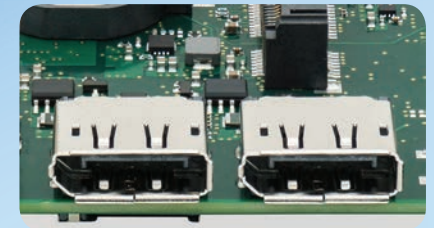
Ordering Code Memory	Description	Size
4GB-MIITX	Main memory	4 GB
8GB-MIITX	Main memory	8 GB
16GB-MIITX	Main memory	16 GB



Wide range DC-Input 8 - 32 V



eDP and LVDS



Dual Display Port

The information contained in this document has been carefully checked and is believed to be reliable. However, E.E.P.D. GmbH makes no guarantee or warranty concerning the accuracy of said information and shall not be responsible for any loss or damage of what ever nature resulting from the use of, or reliance upon, it. E.E.P.D. does not guarantee that the use of any information contained herein will not infringe upon the patent, trademark, copyright or other rights of third parties, and no patent or other license is implied hereby. Intel® and Intel® logo are trademarks or registered trademarks of Intel® Corporation or its subsidiaries in the United States and other countries.

This document does not in any way extend E.E.P.D.'s warranty on any product beyond that set forth in its standard terms and conditions of sale. E.E.P.D. reserves the right to make changes in the products or specifications, or both, presented in this publication at any time and without notice.

LIFE SUPPORT APPLICATIONS

E.E.P.D.'s products are not intended for use as critical components in life support appliances, devices or systems in which the failure of a E.E.P.D. product to perform could be expected to result in personal injury. All mentioned trademarks are registered trademarks of their owner.

© 2019 by E.E.P.D. GmbH. All rights reserved. February 18th 2019 - Version 3.3



**E.E.P.D. Electronic Equipment
Produktion & Distribution GmbH**
Gewerbering 3
85258 Weichs - Germany
Phone +49 8136 2282-0
Fax +49 8136 2282-109
Internet: www.eepd.de
E-Mail: sales@eepd.de