

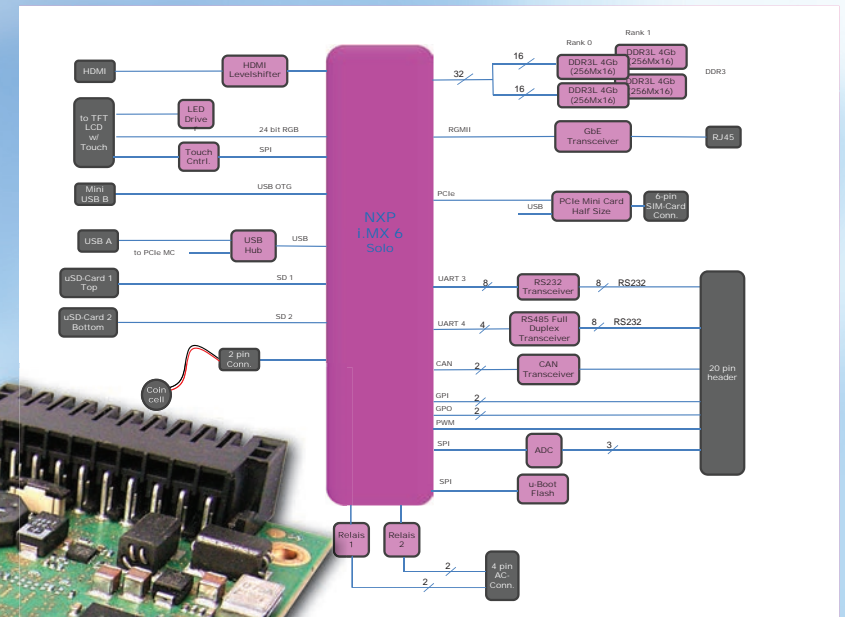
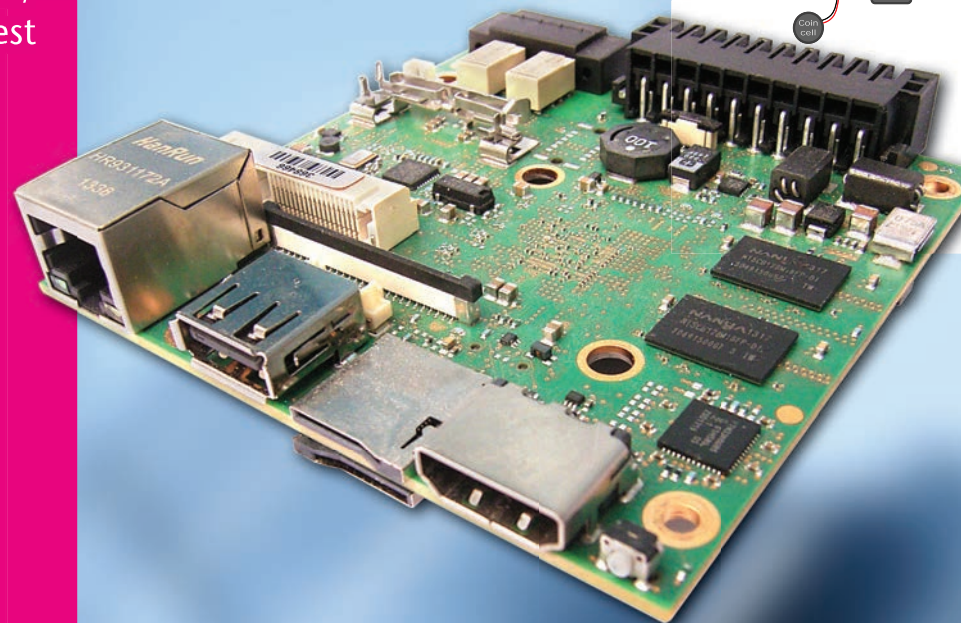
# PROFIVE® A6i

## APPLICATIONS

The **PROFIVE® A6i** is an ultra-low power device. Based on ARM Cortex A9 technology, it is designed for fanless operation in powerful and compact systems. The NXP i.MX6 processor is best scalable and it provides an extremely balanced processor- / graphics-performance with best efficiency.

Field of Application:

- \_ Home Automation
- \_ Medical Solutions
- \_ Rugged Mobile Solutions
- \_ Rugged Industrial Solutions
- \_ Information Systems
- \_ Measurement
- \_ Realtime Flow Control
- \_ Public Terminal



Made in Germany

**E.E.P.D.**   
...just embedded!

## SPECIFICATIONS

CPU	NXP i.MX6 processors <sup>1</sup>
Max. memory	1 GB DDR3 soldered memory onboard
Gigabit Ethernet	Yes <sup>2</sup>
PCI Express® Mini Card	1 half-size socket (optional)
SD-Card	Up to 2 sockets
USB ports	1 host, 1 client
COM ports	1 RS232 1 RS422/485
CAN bus	1 port
GPIO	2 In, 2 Out (max. $V_{in}$ , open drain)
HDMI	Yes
Relais switch	2, Max. 2A
Power supply	Min. 8 V / Max. 28 V, Max. 2A
Thermal measurement	RTD and Thermocouple
Max. operating temperature	0°C to +70°C ambient -40°C to +85°C (optional)
Max. rel. humidity	95% @ 40°C, non-condensing
Size approx.	85 mm x 85 mm
OS support	Linux Yocto

<sup>1</sup> 10 years availability according to manufacturers specification

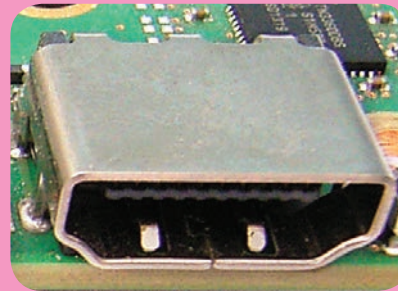
<sup>2</sup> GbE port currently limited to 480MBit/s



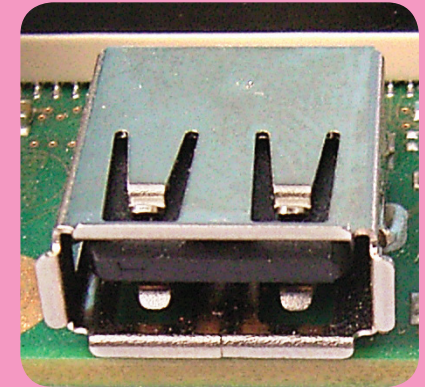
TÜV SÜD approved  
quality management  
system

Ordering Code CPU	Description	Type
A6i	SBC	i.MX6 Solo / 800 MHz / 400 MHz memory

other on request



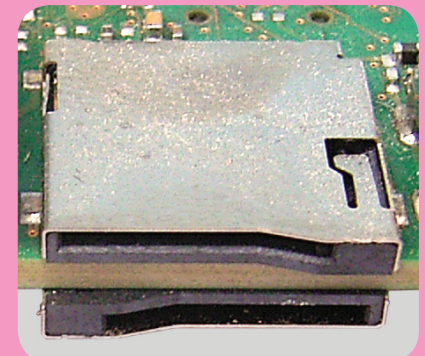
HDMI



USB Port



Gigabit Ethernet



SD-Card sockets

The information contained in this document has been carefully checked and is believed to be reliable. However, E.E.P.D. GmbH makes no guarantee or warranty concerning the accuracy of said information and shall not be responsible for any loss or damage of what ever nature resulting from the use of, or reliance upon, it. E.E.P.D. does not guarantee that the use of any information contained herein will not infringe upon the patent, trademark, copyright or other rights of third parties, and no patent or other license is implied hereby. NXP® and NXP® logo are trademarks or registered trademarks of NXP® Semiconductors or its subsidiaries in the Netherlands and other countries.

This document does not in any way extend E.E.P.D.'s warranty on any product beyond that set forth in its standard terms and conditions of sale. E.E.P.D. reserves the right to make changes in the products or specifications, or both, presented in this publication at any time and without notice.

LIFE SUPPORT APPLICATIONS

E.E.P.D.'s products are not intended for use as critical components in life support appliances, devices or systems in which the failure of a E.E.P.D. product to perform could be expected to result in personal injury. All mentioned trademarks are registered trademarks of their owner.

© 2017 by E.E.P.D. GmbH. All rights reserved. March 6<sup>th</sup> 2017 - Version 2.1

E.E.P.D Electronic Equipment  
Produktion & Distribution GmbH

Gewerbering 3

85258 Weichs - Germany

Phone +49 8136 2282-0

Fax +49 8136 2282-109

Internet: [www.eepd.de](http://www.eepd.de)

E-Mail: [sales@eepd.de](mailto:sales@eepd.de)