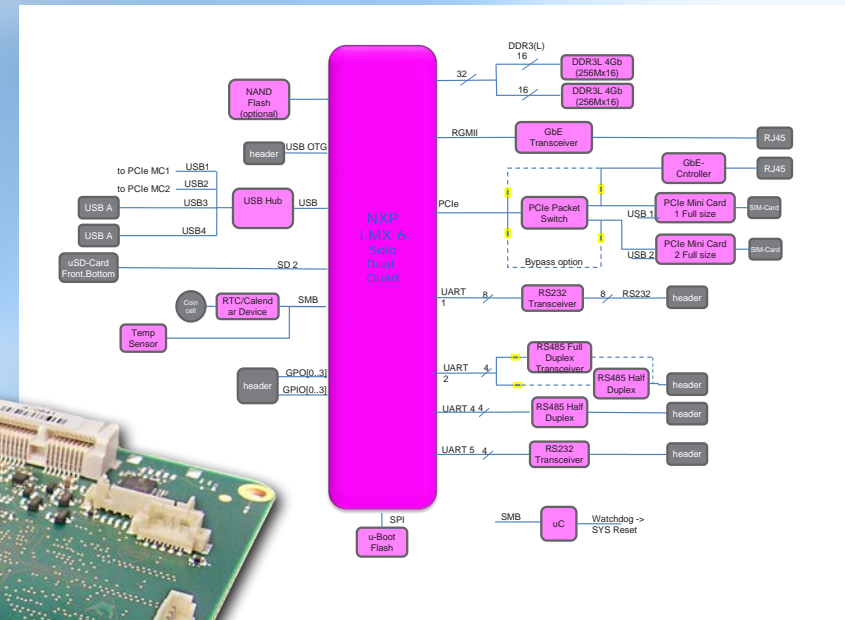
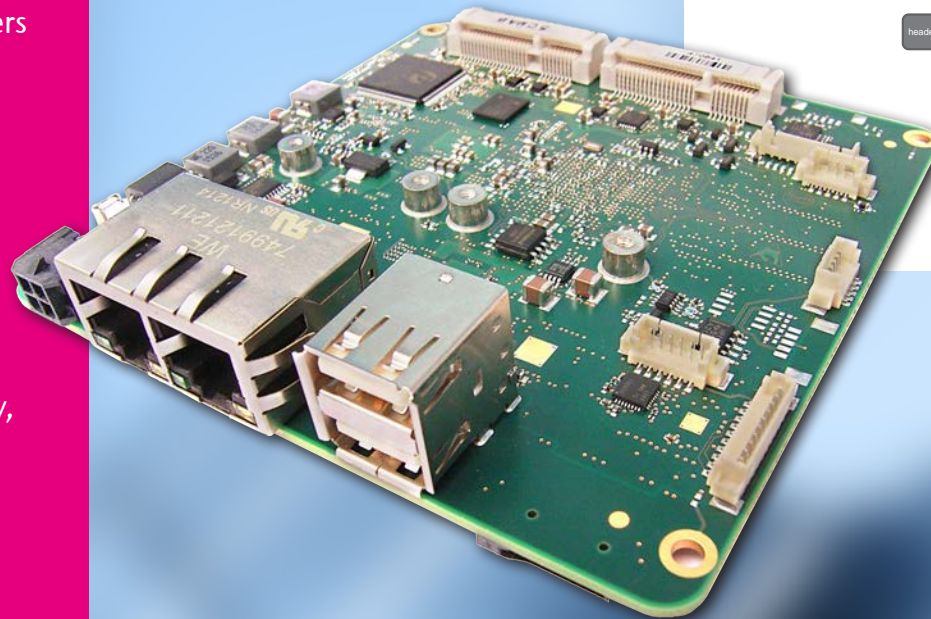


PROFIVE® NUCO

APPLICATIONS

The **PROFIVE® NUCO** was designed as low power eNUC board with an excellent performance-per-watt ratio and is optimal adapted for:

- _ Telecommunication
 - industrial-grade outdoor routers
- _ IoT
 - edge / fog gateway
- _ Rugged Industrial Systems
 - no rotating parts, low power
- _ Medical Solutions
 - ARM® performance
- _ Automatic Control
 - scalable , long term availability,
 - flexible expansion
- _ Measurement
 - USB-Client-Port



SPECIFICATIONS

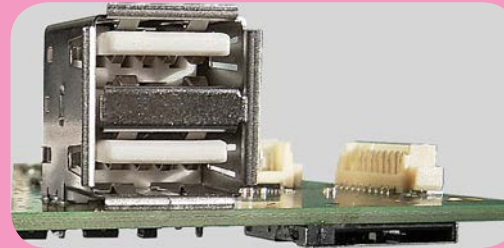
CPU	NXP i.MX6 processors ¹
Max. memory	Up to 1 GB DDR3 soldered memory onboard
Gigabit Ethernet	Up to 2 ²
PCI Express® Mini Card	Up to 2 sockets Prepared for modem support Each with SIM Card socket
SD-Card	1 MicroSD-Card (up to SDR104 speed grade; 104 MB/s max.)
USB ports	2 USB 2.0
USB OTG	optional
COM ports	Up to 4 1 RS232 (8 signal pins) 1 RS485 half (optional full) duplex 1 RS485 half duplex 1 RS232 (4 signal pins)
GPIO	4 In (3,3 V LV _{TTL} level) 4 Out (3,3 V LV _{TTL} level)
Other	RTC Watchdog Temperature sensor
Power supply	Min. 8 V / Max. 32 V
Max. operating temperature	-40 °C to +85 °C ambient industrial grade
Max. storage temperature	-40 °C to +105 °C
Max. rel. humidity	95% @ 40 °C, non-condensing
Size approx.	101,6 mm x 101,6 mm
OS support	Linux Yocto

¹ 10 years availability according to manufacturers specification

² 1st GbE port currently limited to 480 MBit/s

Ordering Code CPU	Description	Type
NUCOA	eNUC	i.MX6 Solo / 800 MHz / 256 MB memory down / 1 GbE / 1 PCI Express® Mini Card USB only
NUCOB	eNUC	i.MX6 Quad / 800 MHz / 1 GB memory down / 2 GbE

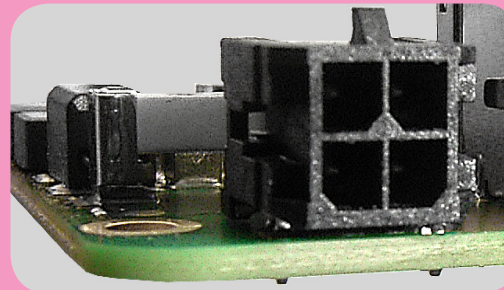
other on request



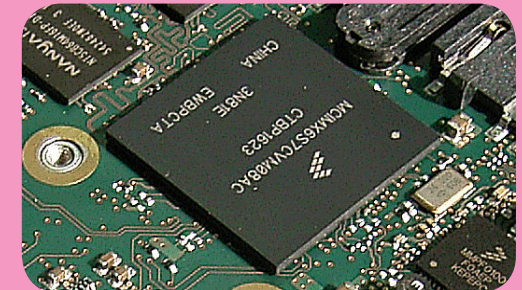
USB Ports



PCI Express® Mini Cards



Power Connector



i.MX6 Solo Processor



TÜV SÜD approved
quality management
system

The information contained in this document has been carefully checked and is believed to be reliable. However, E.E.P.D. GmbH makes no guarantee or warranty concerning the accuracy of said information and shall not be responsible for any loss or damage of what ever nature resulting from the use of, or reliance upon, it. E.E.P.D. does not guarantee that the use of any information contained herein will not infringe upon the patent, trademark, copyright or other rights of third parties, and no patent or other license is implied hereby. NXP® and NXP® logo are trademarks or registered trademarks of NXP® Semiconductors or its subsidiaries in the Netherlands and other countries.

This document does not in any way extend E.E.P.D.'s warranty on any product beyond that set forth in its standard terms and conditions of sale. E.E.P.D. reserves the right to make changes in the products or specifications, or both, presented in this publication at any time and without notice.

LIFE SUPPORT APPLICATIONS

E.E.P.D.'s products are not intended for use as critical components in life support appliances, devices or systems in which the failure of a E.E.P.D. product to perform could be expected to result in personal injury. All mentioned trademarks are registered trademarks of their owner.

© 2017 by E.E.P.D. GmbH. All rights reserved. March 9th 2017 - Version 2.2.

**E.E.P.D Electronic Equipment
Produktion & Distribution GmbH**
Gewerbering 3
85258 Weichs - Germany
Phone +49 8136 2282-0
Fax +49 8136 2282-109
Internet: www.eepd.de
E-Mail: sales@eepd.de